



PURE cool Hercules Slide

Refrigerated cabinet design
for deep-freeze islands
with frameless side panels
that can be pushed sideways

Energy efficiency with glass and light





Produktline

Deep-freeze islands

Opening direction

Heights

Deeps

PURE cool

Hercules

Slide (glass can be pushed sideways)

ca. 920 mm

ca. 1200 mm | ca. 1940 mm

Description

- Frameless side panels with 3-layer insulating glass, made of high-quality tempered laminated safety glass.
- Unimpeded view of the merchandise through sliding panels and top glass panels that are frameless and without thermal bridges, made of 6 mm tempered safety glass. Continuous form-fit contour with the side panels, eliminating the need for additional profile elements.
- An elegant, slender and minimized aluminum profiles protect the glass edges.
- Transparent glass mounting profiles for Slide variant.
- Middle shelf modules made from tempered laminated ISO safety glass.
- New transparent, removable display and price scanner design for simple and convenient exchange of price labels and variable article-related display advertising in digital form on a wide range of monitors.
- Glass skirting below the panorama panels with backlit hinged display surfaces for exchangeable advertising and/or decorative motifs.



Produktline

Deep-freeze islands

Opening direction

Heights

Deeps

PURE cool

Hercules

Slide (glass can be pushed sideways)

ca. 920 mm

ca. 1200 mm | ca. 1940 mm

Optional LED lighting:

- integrated into the handrail
- on the middle shelf modules
- in the base section
- for the hinged display panel in the glass skirting

Further plus points

- New glass covers made of 6 mm tempered safety glass that can be pushed sideways
- Integrated hand grip or slide surfaces
- Longer and wider lift-out protection
- Easy, hygienic cleaning of the glass surfaces

Produktline

Deep-freeze islands

Opening direction

Heights

Deeps

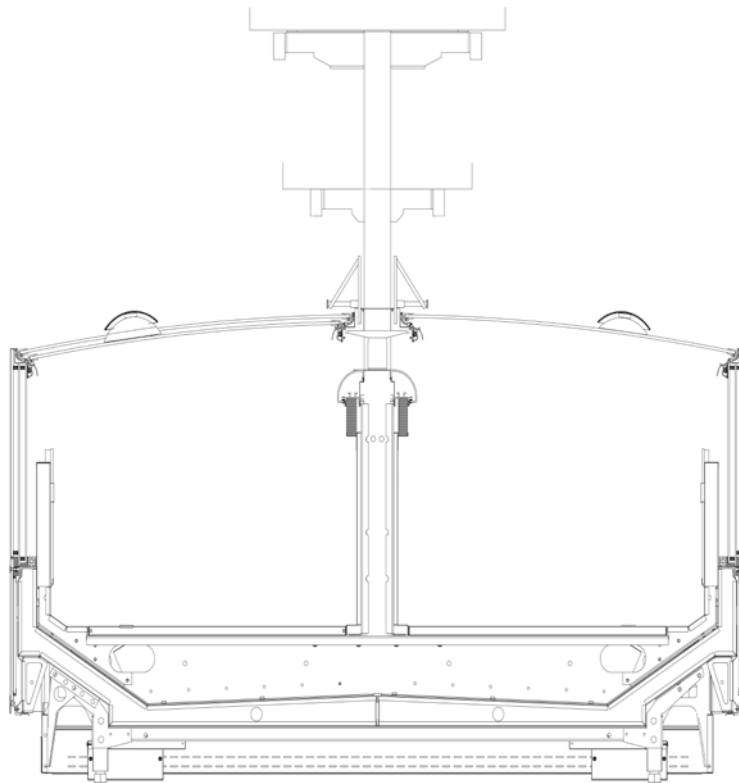
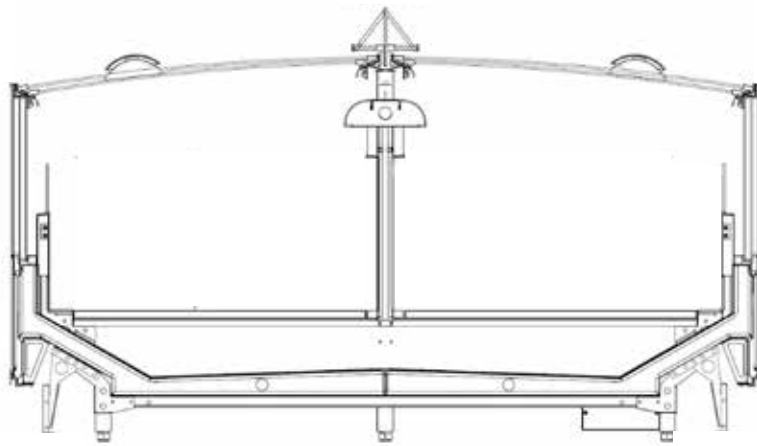
PURE cool

Hercules

Slide (glass can be pushed sideways)

ca. 920 mm

ca. 1200 mm | ca. 1940 mm



Produktline

Deep-freeze islands

Opening direction

Heights

Deeps

PURE cool

Hercules

Slide (glass can be pushed sideways)

ca. 920 mm

ca. 1200 mm | ca. 1940 mm

