



ECO COMBI Plus

Side sliding glass covers for frozen food combi cases

- System suitable for OEM assembly as well as for remodelling and retrofit
- Optimum product presentation and maximum transparency
- Intelligent lighting options in T5 or LED
- Attractive design and dimensionally stable materials
- Temperature stability ensuring the highest and safest product quality
- High energy saving potential
- System suitable for retrofit of refrigerated cases of major manufacturers



Attractive Design – maximum transparency

Our side sliding glass covers are tailor-made produced and adapted to your combi case. Our 4 mm thick, curved glass covers with one low-e coating are tempered according to DIN EN 12150-2:2004. The well-conceived, attractive design of our glass covers upgrades your combi case.

Generous glass surfaces ensure optimal presentation of your products and clear overview. The special requirements of combi cases were completely achieved by Pan-Dur glass covers and establish a pendant to the closed upper part.

PAN-DUR offers complete solutions for your combi cabinets:

- Optimum suitable for retrofit of your cases
- Top quality dimensionally stable materials
- Powder coated aluminium profiles
- Screwed handles
- Elegant side endings

Professional processing and customer oriented project management enable flexible and free planning and design. Our glass covers for combi cases match exactly your cabinet and are suitable for OEM assembly as well as for remodeling on all european well known cases.

Energy saving

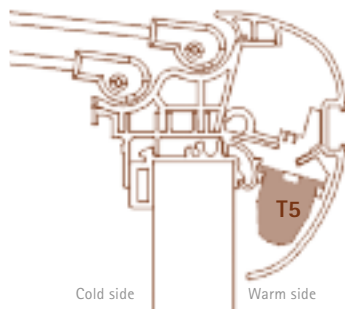
Installing our ECO COMBI systems results in a significant reduction of energy consumption.

Investment pays off in short time.

ECO COMBI puts your products in the proper light

T5 lighting

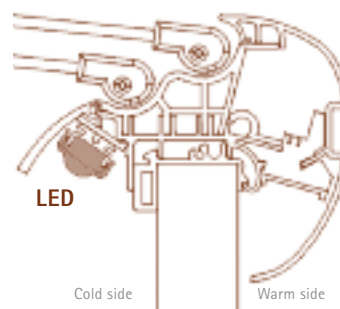
Handrail with integrated lighting module in external position



Fluorescent tubes operate better in a warm environment outside of the combust. Most of the harmful thermal infrared radiation is reflected through the insulating glass on the side.

LED lighting

Handrail with integrated lighting module in internal position



LED lights on the inside of the handrail could be completed in addition with LED fixed on the push sliding profile. LED lights enable lower energy consumption and an increased life cycle.



Silicon lubricant

The care product to preserve easy sliding of the PAN-DUR Glass System

