



ECO COMBI Push

Push sliding glass covers for frozen food combi cases

- Inviting, wide modules (1,25m)
- Great presentation of products with generous glass surfaces
- Top-quality dimensionally stable materials
- Intelligent lighting options in T5 or LED
- Attractive design – integrated into the refrigerated case
- Temperature safety ensuring the highest product quality
- Simple to retrofit on your cabinet



Stylish glass design – maximum transparency

Our System is tailor-made individually to your combi case. Premium glass curved, 4 mm thick with one low-e coating and tempered according to DIN EN 12150-2:2004, giving an attractive design to your refrigeration units.

Extra large glass surfaces ensure optimal presentation of your products and clear overview. We have developed a push handle reflecting the special design of combi cases in order to maximise the opening width of the glass cover compared to a standard handle.

PAN-DUR offers complete solutions for your combi cabinets:

- Robust materials
- High stability of plastic components for long-life use
- Powder coated aluminium profiles
- Screwed handles
- Elegant side endings

Professional processing and customer oriented project management enable flexible and free planning and design. PAN-DUR glass covers for combi cases integrate completely into the image of your store.

Constant temperature – absolutely fresh

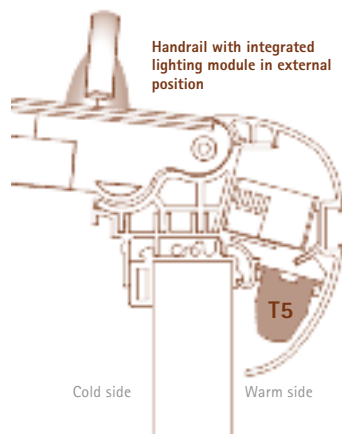
Our glass covers for combi cabinets ensure constant temperatures and the best quality and freshness of displayed product. PAN-DUR glass covers are in conformity with national and international standards such as German Food Hygiene Regulation (LMHV) and international HACCP Regulation.

Installing our ECO COMBI systems results in a significant reduction of energy consumption.

Investment pays off in short time.

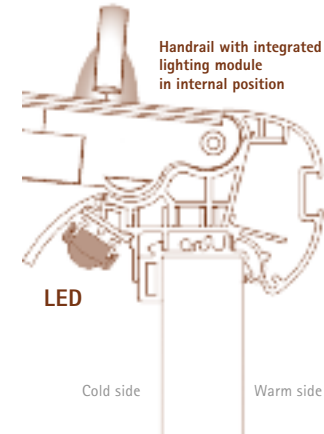
ECO COMBI puts your products in the proper light

T5 lighting



Fluorescent tubes operate better in a warm environment outside of the combi. Most of the harmful thermal infrared radiation is reflected through the insulating glass on the side.

LED lighting



LED lights on the inside of the handrail could be completed in addition with LED fixed on the push sliding profile. LED lights enable lower energy consumption and an increased life cycle.



Silicon lubricant

The care product to preserve easy sliding of the PAN-DUR Glass System

